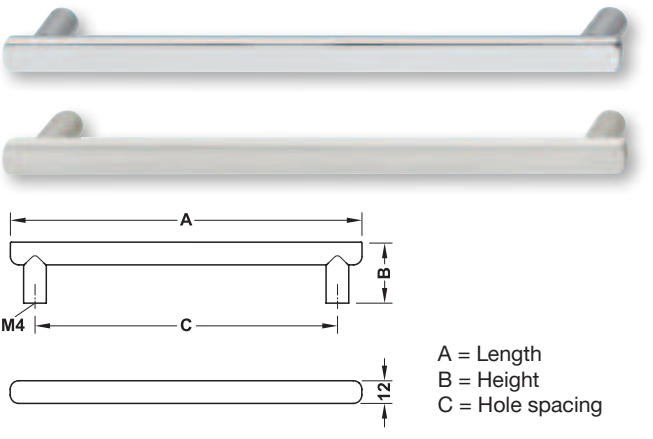




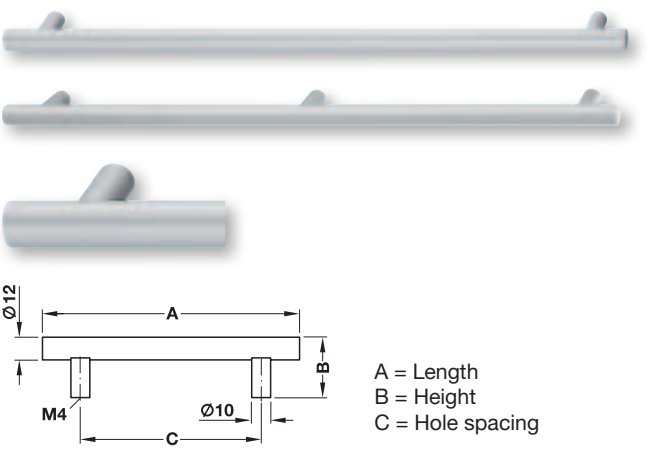
Handle with base, Häfele Design, Model H1560



> Material: Aluminium

Colour/finish	Length x height mm	Hole spacing mm	Packing Piece	Cat. No.
Chrome plated, Polished	186 x 31	160	1 or 25	106.60.214
	218 x 31	192	1 or 25	106.60.216
	346 x 31	320	1 or 10	106.60.218
Stainless steel coloured	186 x 31	160	1 or 25	106.60.014
	218 x 31	192	1 or 25	106.60.016
	346 x 31	320	1 or 10	106.60.018

Handle with base, Diameter: 12 mm



Available for popular standard cabinet widths

> Material: Aluminium
> Colour/finish: Silver coloured, Anodized
> Diameter: 12 mm

Length x height mm	For cabinet width mm	Hole spacing mm	Cat. No.
With 2 bases			
136 x 32	-	96	109.54.931
168 x 32	-	128	109.54.932
200 x 32	300	160	109.54.933
232 x 32	-	192	109.54.934
250 x 32	350	210	109.54.935
300 x 32	400	260	109.54.936
350 x 32	450	310	109.54.938
400 x 32	500	360	109.54.940
450 x 32	550	410	109.54.941
500 x 32	600	460	109.54.943
600 x 32	700	560	109.54.944
700 x 32	800	660	109.54.945
800 x 32	900	760	109.54.946
900 x 32	1000	860	109.54.947
With 3 bases			
1000 x 32	-	960, 480	109.54.948

Packing: 1 or 25 Piece

M4 threaded screws

MB 1.479

DGH-M 2021, HDE-en, 10/20; Dimensional data not binding. We reserve the right to alter specifications without notice.